

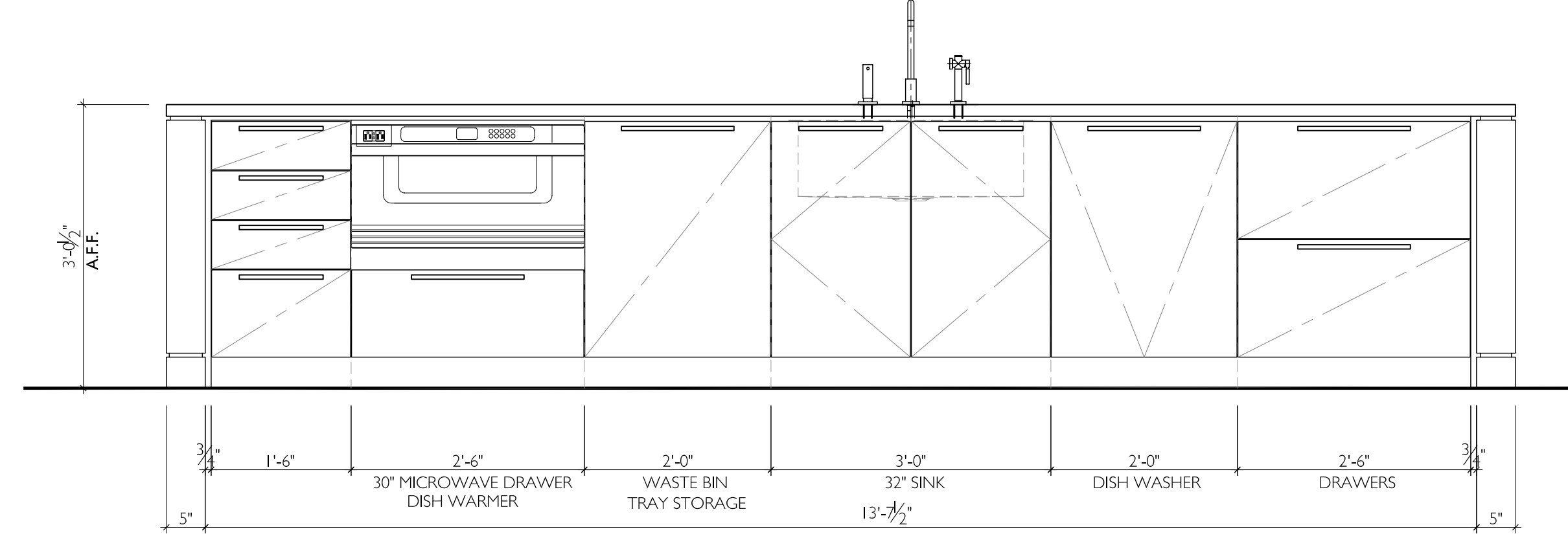
### APPLIANCE SCHEDULE

TAG NO. TYPE	QTY	MANUFACTURER'S REFERENCE No.(S)	UNIT DIMENSION (Inches) W X D X H	LOCATION	REMARK
A	1	FULLY INTEGRATED FULL REFRIGERATOR LIEBHERR_HRB 1110 PREMIUMPLUS, RIGHT HINGED	21 15/16" X 21 7/32" X 69 21/32"	KITCHEN WALL	ENERGY STAR: QUALIFIED ENERGY CONSUMPTION P.A.: 305 kWh ENERGY SUPPLY: 115V/60Hz/180W TOTAL CAPACITY: 7.6 cu ft. (217 L) + 3.2 cu ft. (BIOFRESH)
B	1	FULLY INTEGRATED REFRIGERATOR - FREEZER LIEBHERR_HC 1011 PREMIUMPLUS, LEFT HINGED	21 15/16" X 21 7/32" X 69 3/4"	KITCHEN WALL	ENERGY STAR: QUALIFIED ENERGY CONSUMPTION P.A.: 407 kWh ENERGY SUPPLY: 115V/60Hz/180W TOTAL CAPACITY: 7.0 cu ft. (217 L) + 2.3 cu ft. (FREEZER)
C	1	GAS RANGE WITH 4 BURNERS, GRILL & GRIDDLE GE MONOGRAM 48" DUAL-FUEL # ZDP48NGPSS	47 7/8" X 28 1/4" X 35 1/4"	KITCHEN WALL	208/240 V/60Hz/50 amp dedicated circuit NEMA 14-50R DEVICE FOR FOUR-PRONG PLUG 14,000 BTU
D	1	WALL MOUNT KITCHEN HOOD GE MONOGRAM 48" STAINLESS STEEL PROFESSIONAL HOOD MODEL # ZV48SSPSS MODEL # ZX48PWDC6	48" X 25" X 18" 47 15/16" X 11 7/8" X 6"	KITCHEN WALL	110 V/60Hz/12.5 amp dedicated circuit EXHAUST BLOWER RATING: 1,200 CFM
E	1	FULLY INTEGRATED DISH WASHER MIELE_G2872 SCVi La Perla Dish Washer Rem # 2128726USA	23 1/2" X 22 1/2" X 33 1/8" - 35"	KITCHEN @ ISLAND COUNTER	120 Volts - 15 Amp 3 Wire
F	1	MICROWAVE DRAWER SHARP_KB4002LS (STAINLESS STEEL)	30" X 15 13/16" X 26 3/16"	KITCHEN @ ISLAND COUNTER	120 Volts AC, 60 Hz, 14.5 Amp SINGLE PHASE/ AC ONLY 1000 watts
G	1	30" WARMING DRAWER GE MONOGRAM_ZT910SPSS-STAINLESS STEEL	30" X 23 1/4" X 10 1/2"	KITCHEN @ ISLAND COUNTER	120 Volts AC, 60 Hz, 14.5 Amp SINGLE PHASE/ AC ONLY 1000 watts

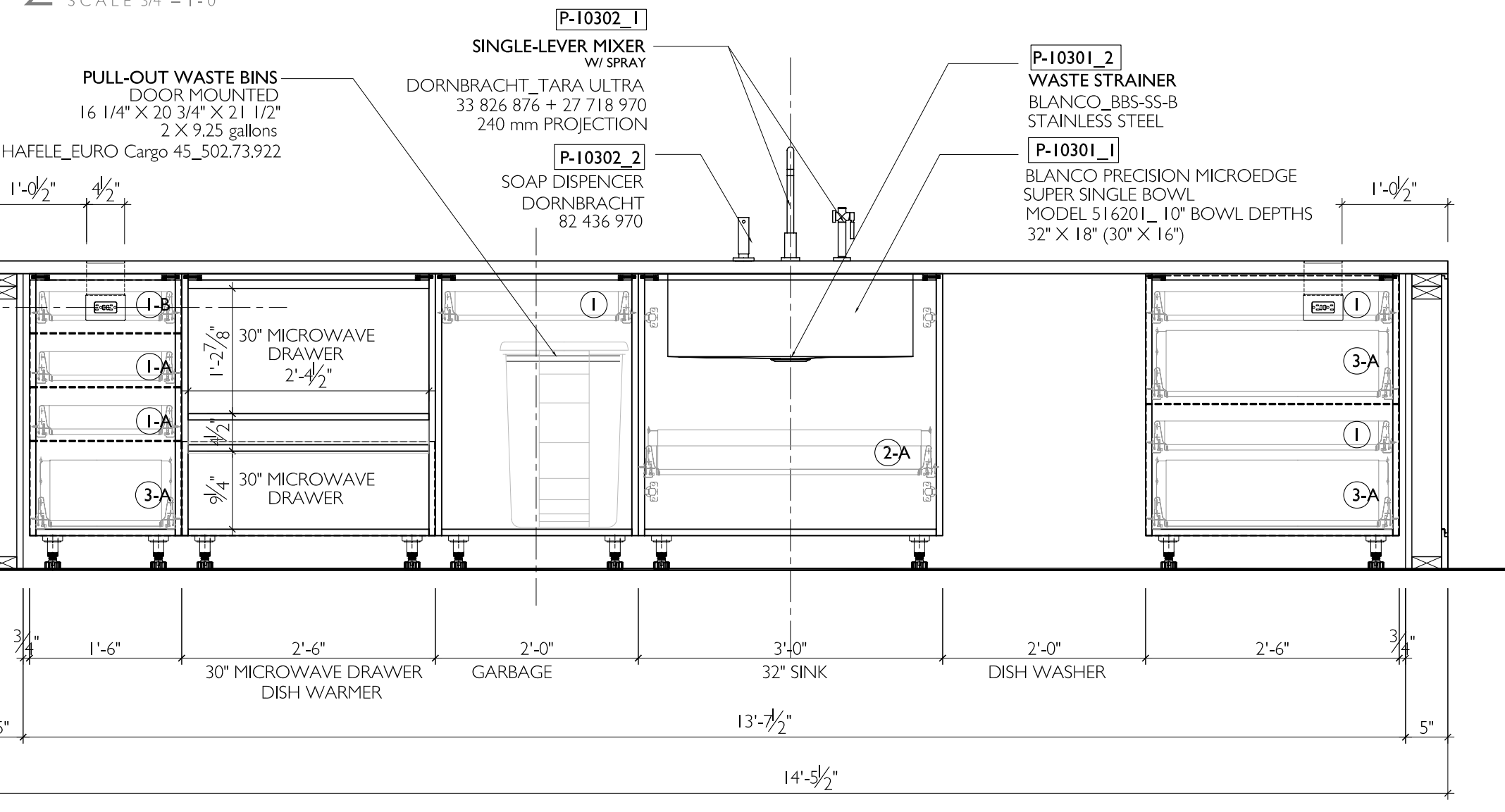
INSTANT HOT WATER DISPENSER W/ FILTER COLD WATER STAINLESS STEEL TANK W/ FILTRATION SYSTEM

IN-SINKERATOR\_MODEL: F-HCI1100 STAINLESS STEEL MODEL: F-HCI1100C  
SST-FLTR F-201

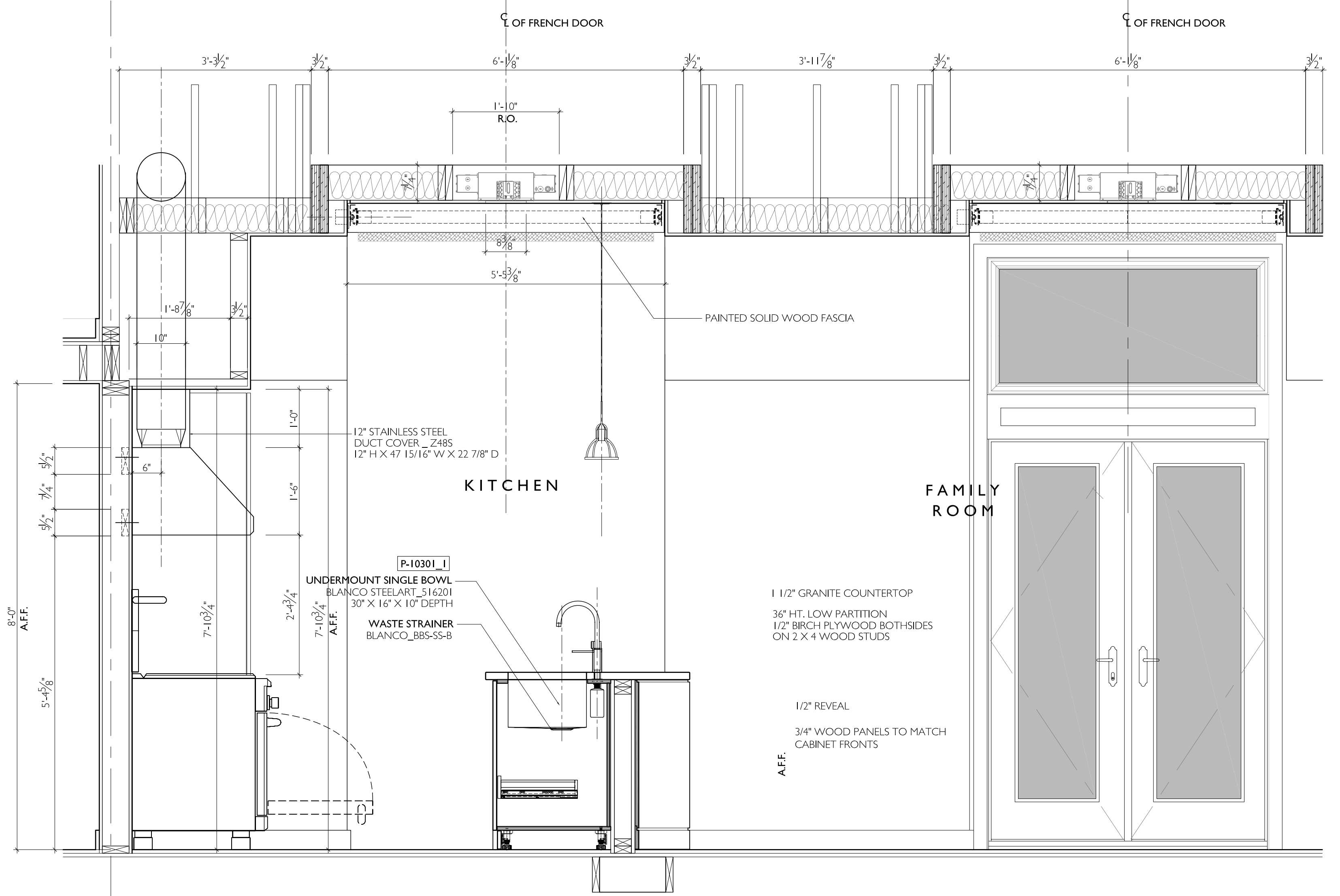
design by  
Geum Design & Architecture  
William M Cohen Architect  
258 St. Nicholas Avenue, Suite 4C  
NEW YORK, NY 10039  
TEL: 212.280.6803  
FAX: 212.658.9078  
web site: wmcarch.com



### 2 KIRCHEN ISLAND FRONT ELEVATION



- BLUM\_TANDEMBOX N HIGH DRAWER SERIES STAINLESS STEEL 22" PROFILE (110 lb)
- BLUM\_TANDEMBOX M HIGH DRAWER SERIES STAINLESS STEEL 22" PROFILE (110 lb)
- BLUM\_TANDEMBOX D HIGH DRAWER SERIES STAINLESS STEEL 22" PROFILE (110 lb) W/ GALLERY ROD



### 4 SECTION DETAIL

NO.	DATE	REVISION
05/30/2009		ISSUED FOR BIDDING

THE PLAN IS APPROVED ONLY FOR THE WORK INDICATED ON THE APPLICATION. ALL OTHER MATTERS SHOWN ARE NOT TO BE RELIED UPON OR TO BE CONSIDERED AS EITHER BEING APPROVED OR IN ACCORDANCE WITH APPLICABLE CODES.

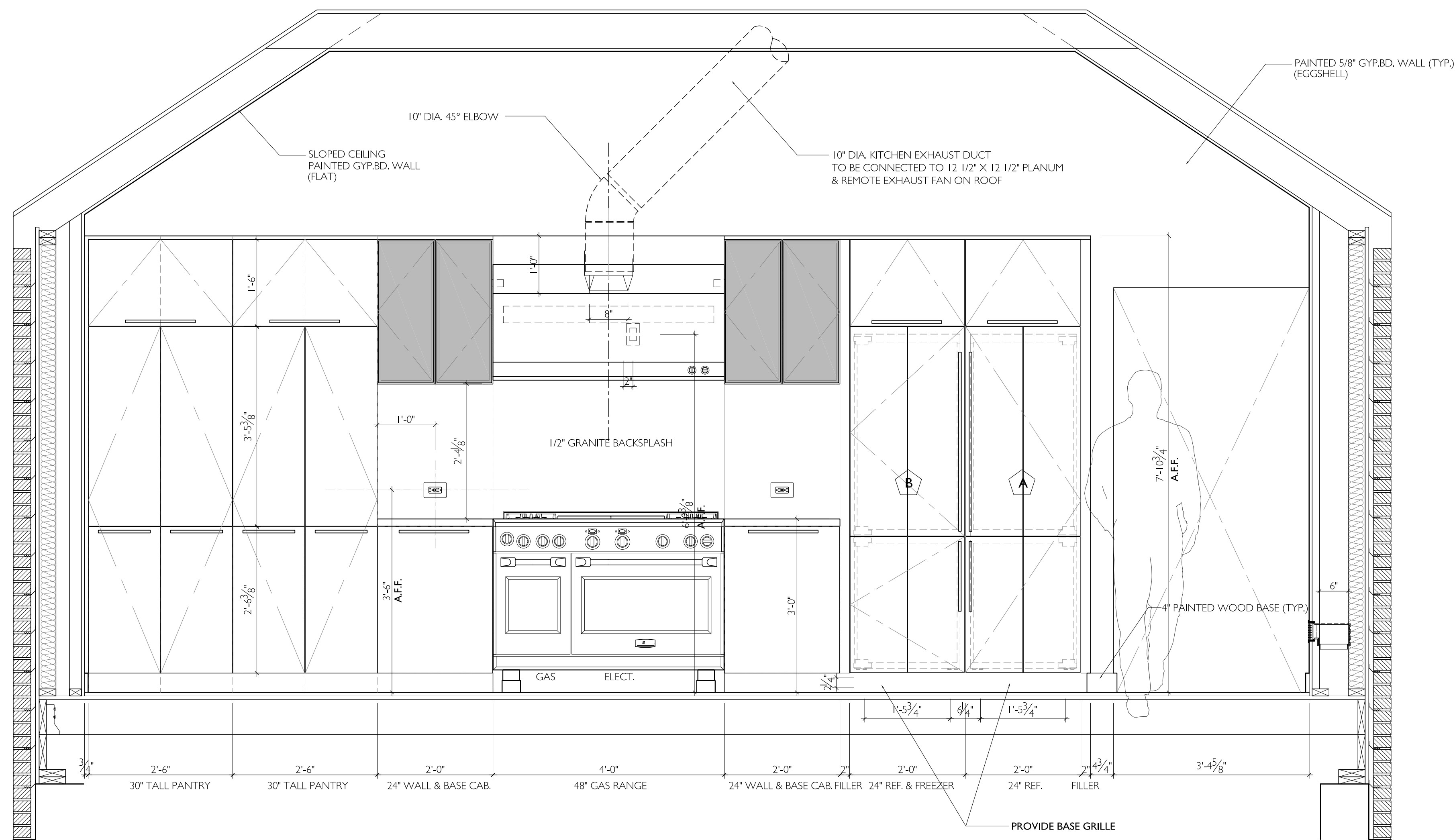
PROJECT:

TITLE:  
**PLAN, ELEVATION & SECTIONS FOR KITCHEN**

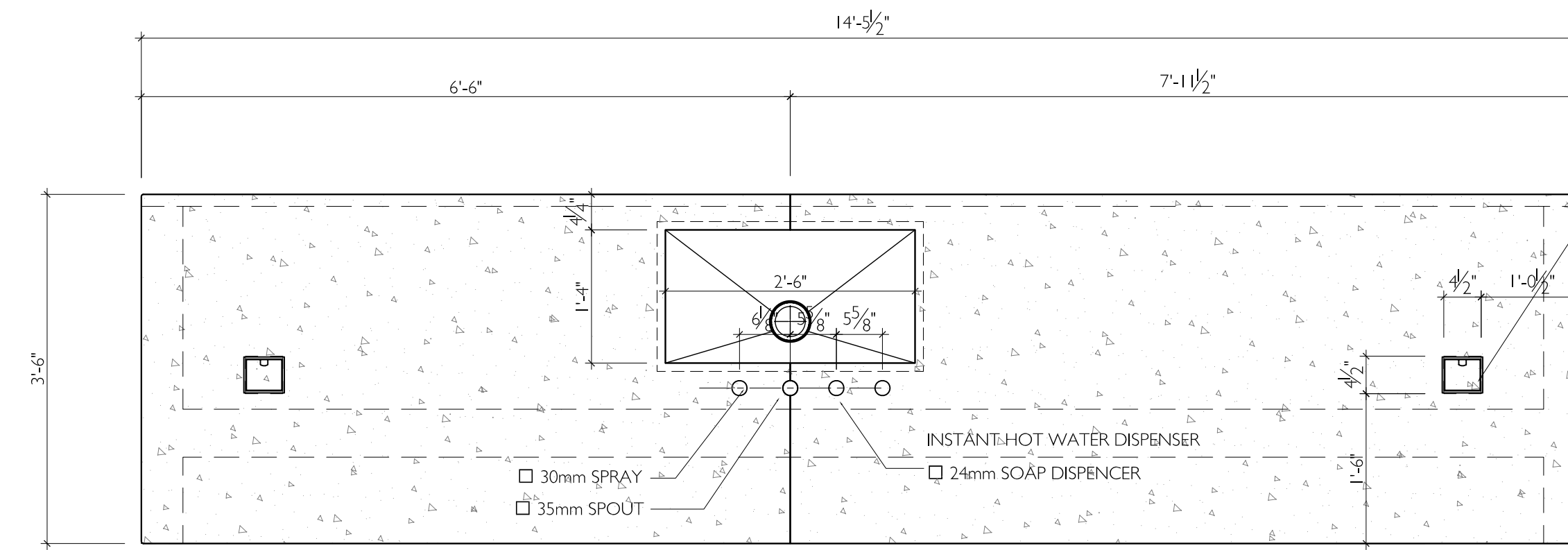
SEAL & SIGNATURE

DATE: 05-30-2009  
PROJECT No: 2009-06-RK  
DRAWN BY: MSK  
DRAWN BY: JFS  
DWG. No: A-008.00

CADD FILE No: 1126\_KANGRESIDENCE 9 of 14

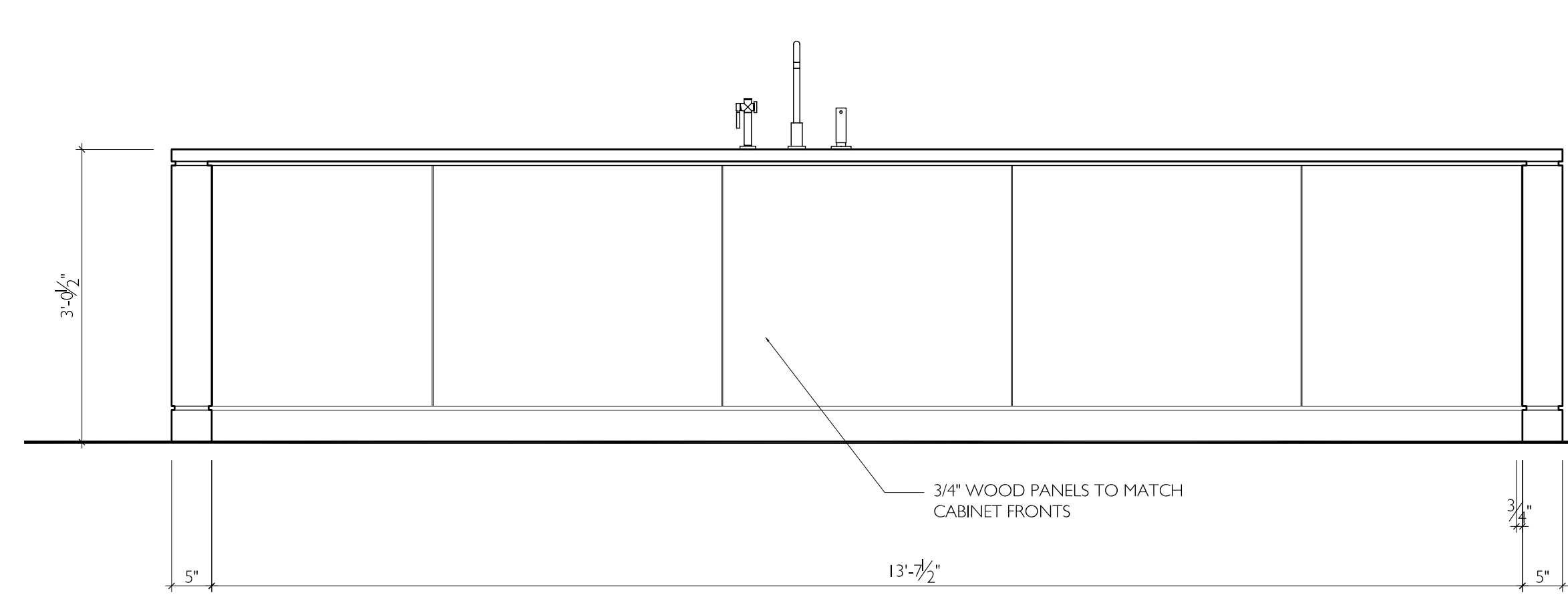


ELEVATION  
 SCALE 3/4" = 1'-0"

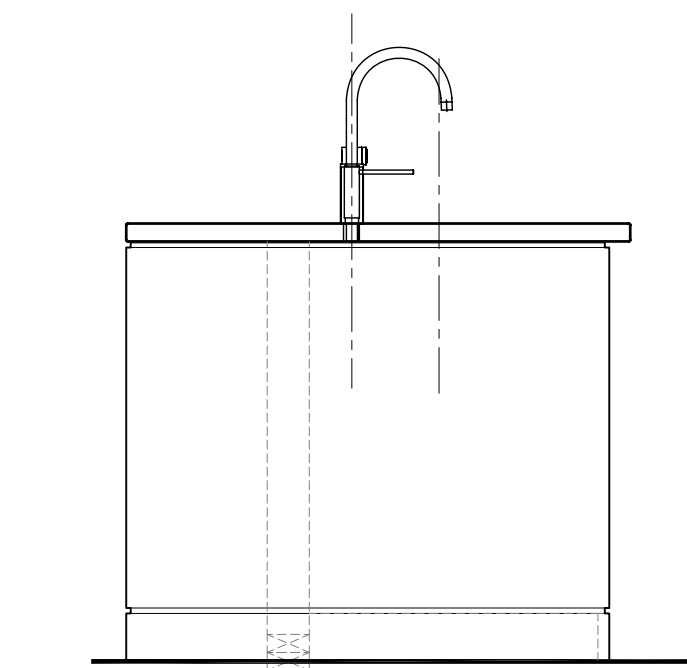


3 KITCHEN ISLAND COUNTERTOP PLAN  
 SCALE 3/4" = 1'-0"

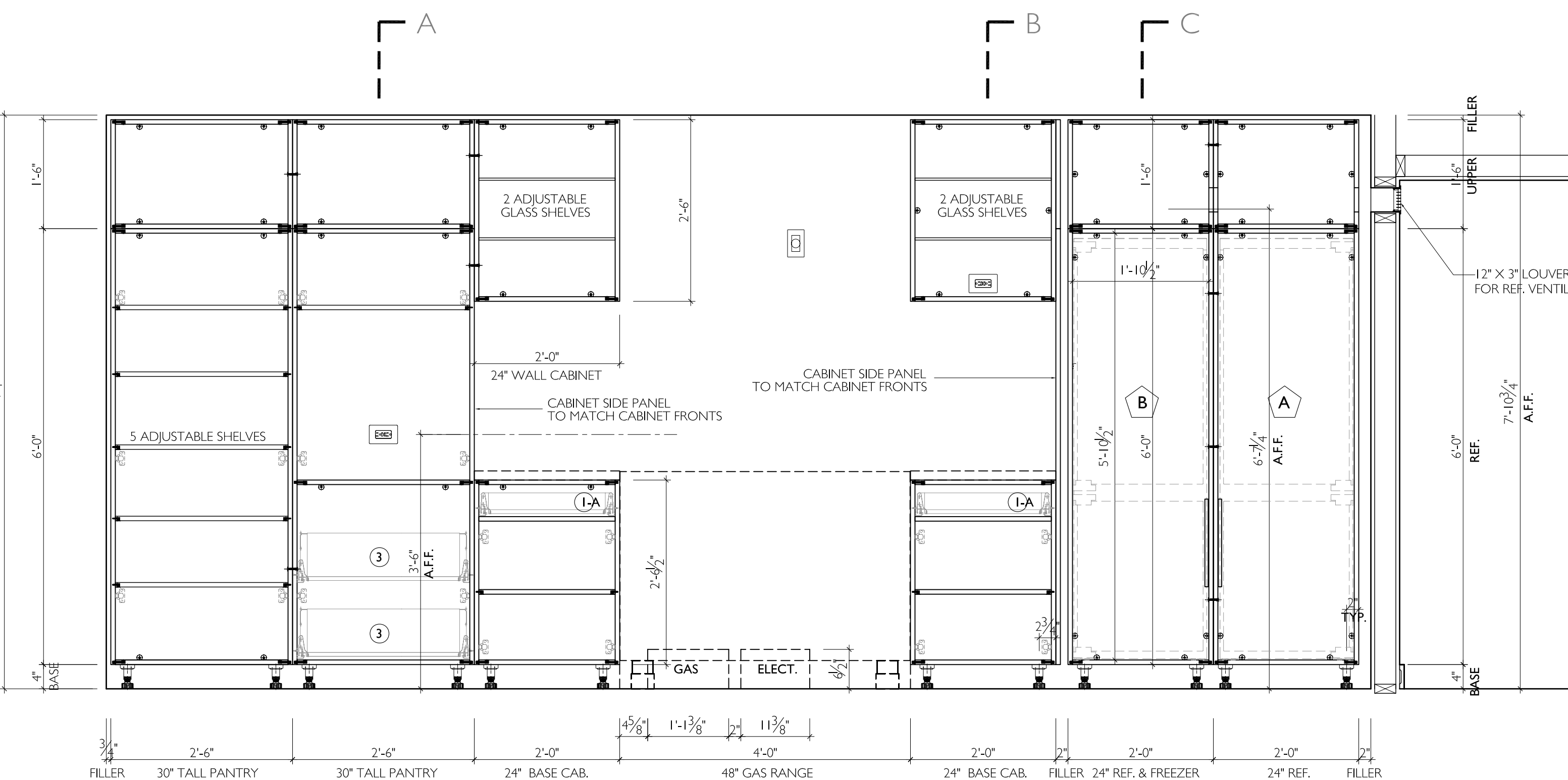
POWER MANAGEMENT  
 TABLE TOP FLIP UP UNIT  
 15A, 125V W/ 2 GROUNDED OUTLETS  
 BRUSHED STAINLESS STEEL PLATE  
 4 1/2" X 4 1/5" CUT  
 HAFELE #022.72.600



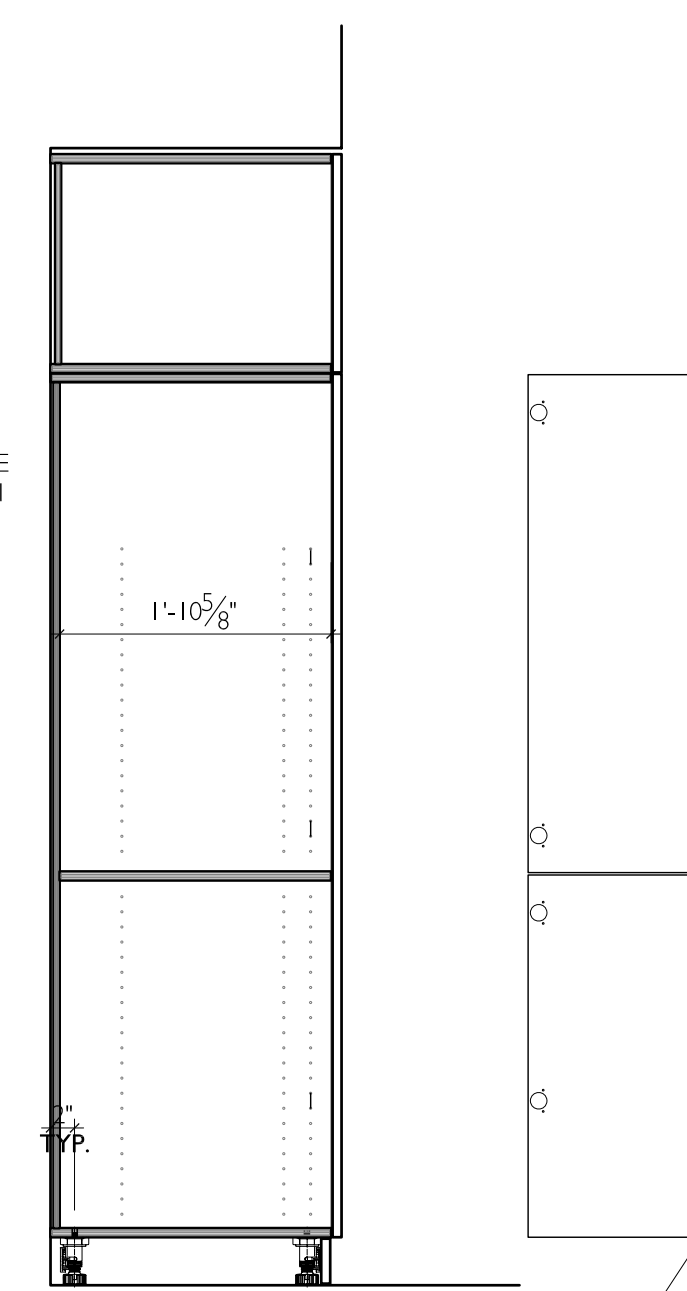
4 KITCHEN ISLAND REAR ELEVATION  
 SCALE 3/4" = 1'-0"



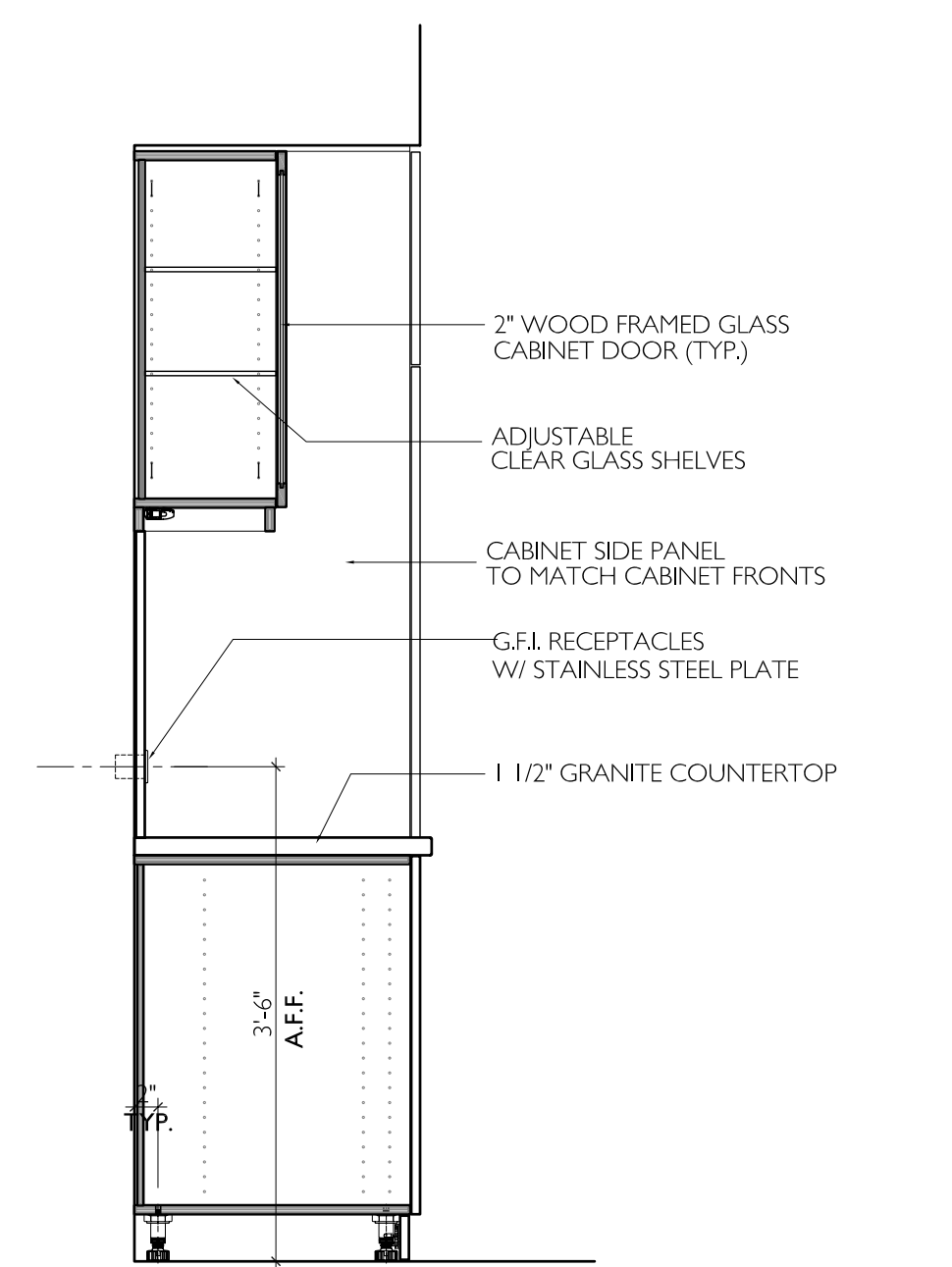
5 SIDE ELEVATION  
 SCALE 3/4" = 1'-0"



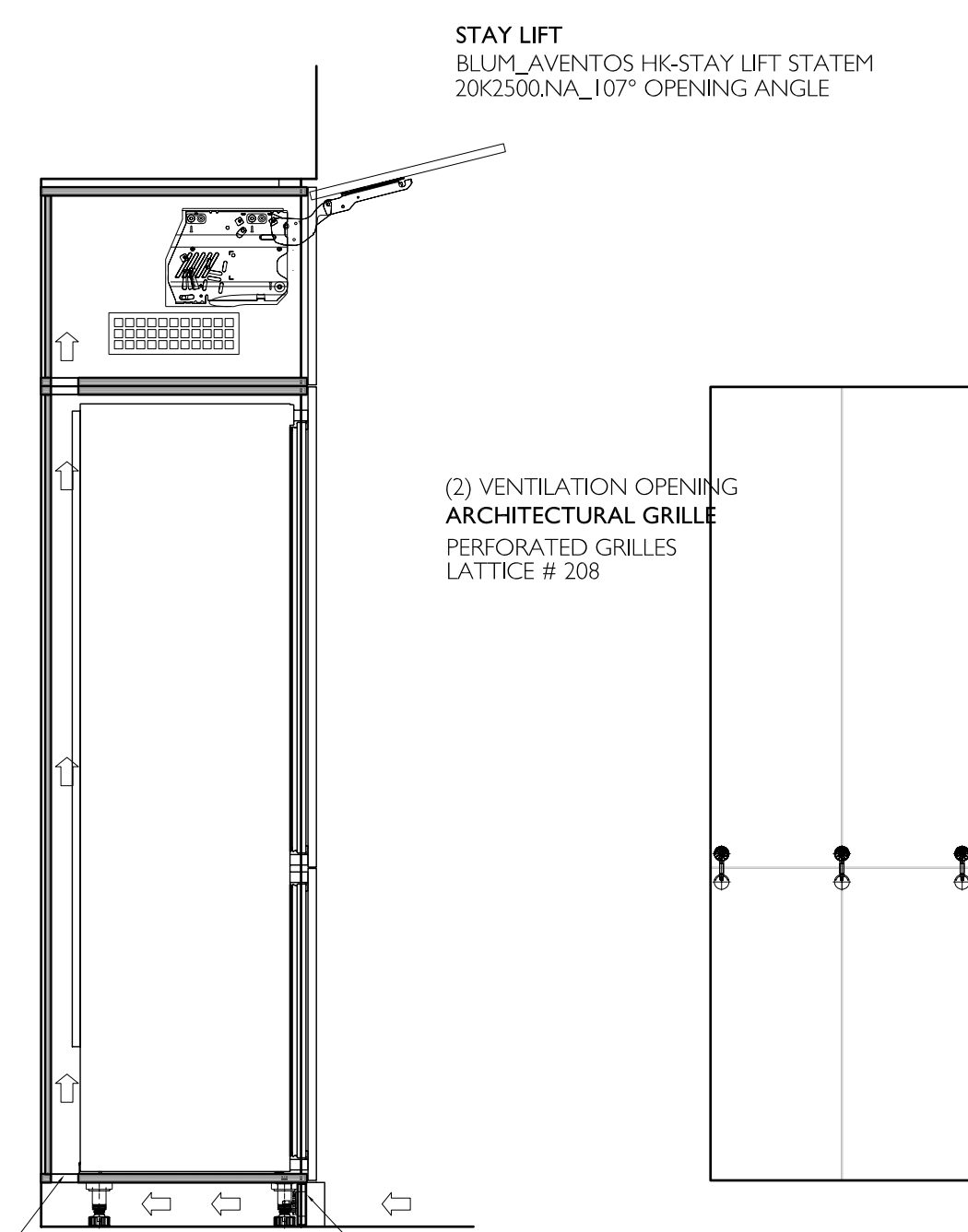
2 KITCHEN CABINET INTERIOR ELEVATION  
 SCALE 3/4" = 1'-0"



6 SECTION A-A'  
 SCALE 3/4" = 1'-0"



7 SECTION B-B'  
 SCALE 3/4" = 1'-0"



8 SECTION C-C'  
 SCALE 3/4" = 1'-0"

**HINGES**  
 DUOMATIC 110 D, FULL OVERLAY  
 HAFELE Cat. No. 329.17.507  
 MOUNTING PLATE  
 HAFELE Cat. No. 329.71.500  
 DUOMATIC COVERCAP PL. BLACK  
 HAFELE Cat. No. 329.18.308

MINIFIX 15 mm COMP. BOLT  
 B 34/ 5mm  
 HAFELE Cat. No. 262.26.620

MINIFIX 15 mm CAM  
 HAFELE Cat. No. 262.26.620

MINIFIX 15 mm CAM TRIM CAP  
 HAFELE Cat. No. 262.24.050

REAR PANEL CONNECTOR  
 HAFELE Cat. No. 263.11.705  
 CONNECTING BOLT\_12 mm  
 HAFELE Cat. No. 263.48.004

SLEEVE NUT  
 Cat. No. 264.75.160

SHELF SUPPORT CONNECTOR  
 REAR PANEL CONNECTOR  
 HAFELE Cat. No. 263.11.705  
 CONNECTING BOLT\_12 mm  
 HAFELE Cat. No. 263.48.004

CAM HEX 6mm, NICKEL-PLATED  
 HAFELE Cat. No. 262.87.042  
 CONNECTOR  
 HAFELE Cat. No. 262.87.041

CAP  
 HAFELE Cat. No. 637.45.791

ATTACHMENT SCREW 10mm  
 HAFELE Cat. No. 637.45.997

BASE CABINET LEVELER  
 ADJUSTER 4" (5, +10)  
 HAFELE Cat. No. 637.45.326

PANEL CLIP  
 HAFELE Cat. No. 637.45.906

NO.	DATE	REVISION
05/30/2009	ISSUED FOR BIDDING	

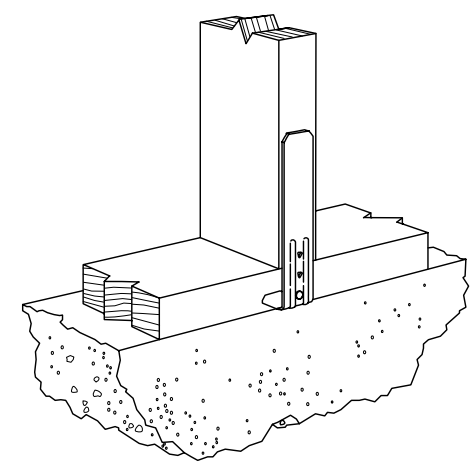
THE PLAN IS APPROVED ONLY FOR THE WORK INDICATED ON THE APPLICATION. ALL OTHER MATTERS SHOWN ARE NOT TO BE RELIED UPON OR TO BE CONSIDERED AS EITHER BEING APPROVED OR IN ACCORDANCE WITH APPLICABLE CODES.

PROJECT :

TITLE:  
**PLAN, ELEVATION & SECTIONS FOR KITCHEN**

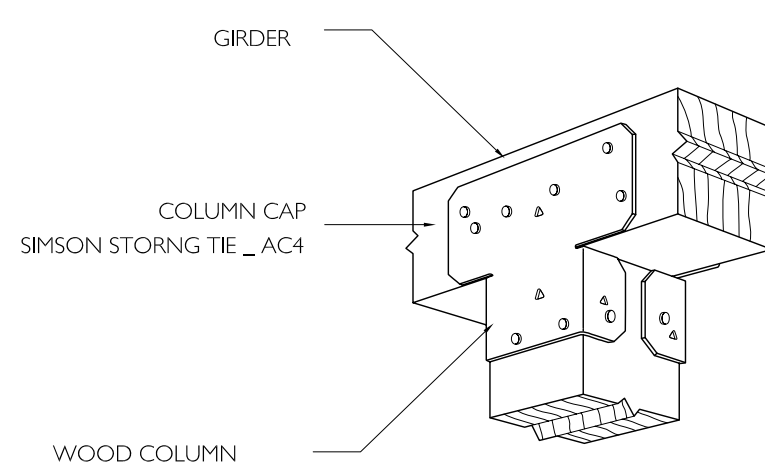
DATE	05-30-2009
PROJECT No.	2009-06-RK
DRAWN BY:	MSK
DWG. No.	175
CADD FILE No.	1126_KANGRESIDENCE
10 of 14	

**A-009.00**

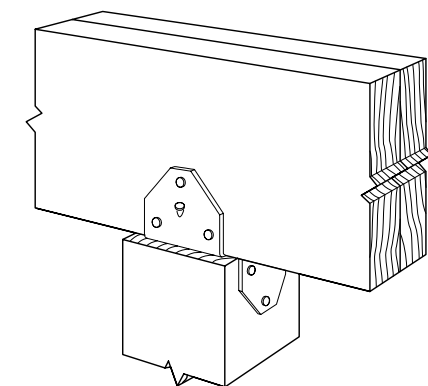


**3 WALL TO SLAB CONNECTION**  
N.T.S.

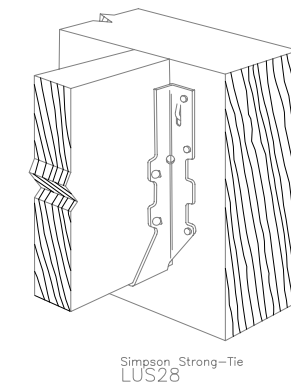
SIMPSON STRONGTIE SSP (OR EQUIVALENT)  
SEE TABLE WFCM 3.38 FOR NAIL SCHEDULE  
1/2" ANCHOR BOLTS SEE TABLE WFCM 3.2A



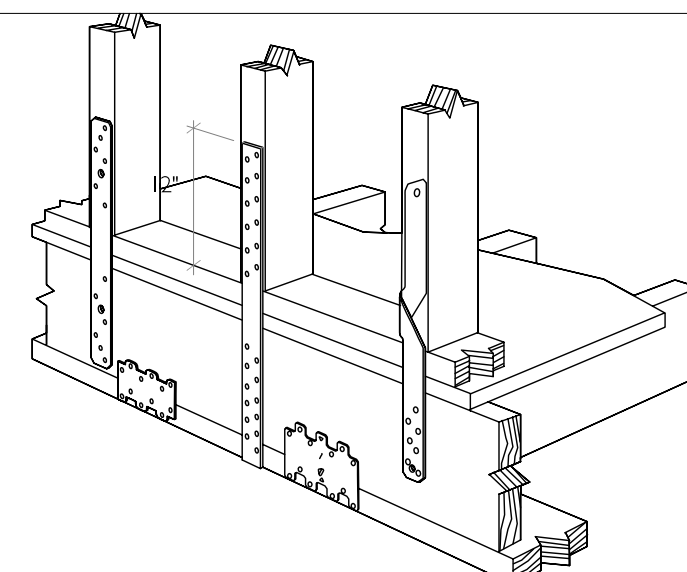
**4 COLUMN CAP DETAIL**  
N.T.S.



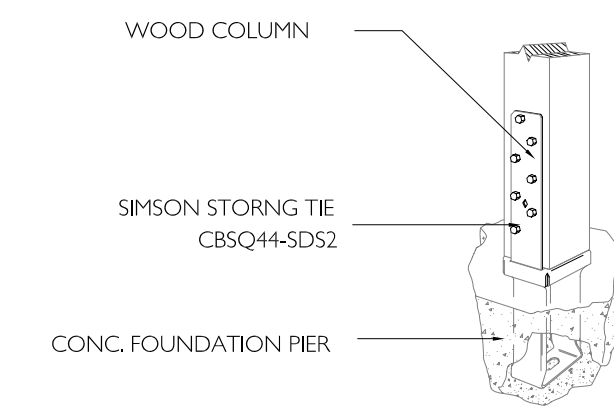
**5 POST CAP**  
N.T.S.  
COLUMN TO HEADER  
SIMPSON STRONGTIE BC3 (OR EQUIVALENT)  
(3) 10D COMMON EACH SIDE OF POST & HEADER



**6 FACE MOUNT HANGER**  
N.T.S.  
SIMPSON STRONGTIE LUS (OR EQUIVALENT)  
LUS26(8) 10D COMMON, LUS28 (10) 10D COMMON  
LUS210 (10) 16D COMMON, LUS26-2(4) 16D COMMON  
LUS28-2 (6) 16D COMMON, LUS210-2 (8) 16D COMMON

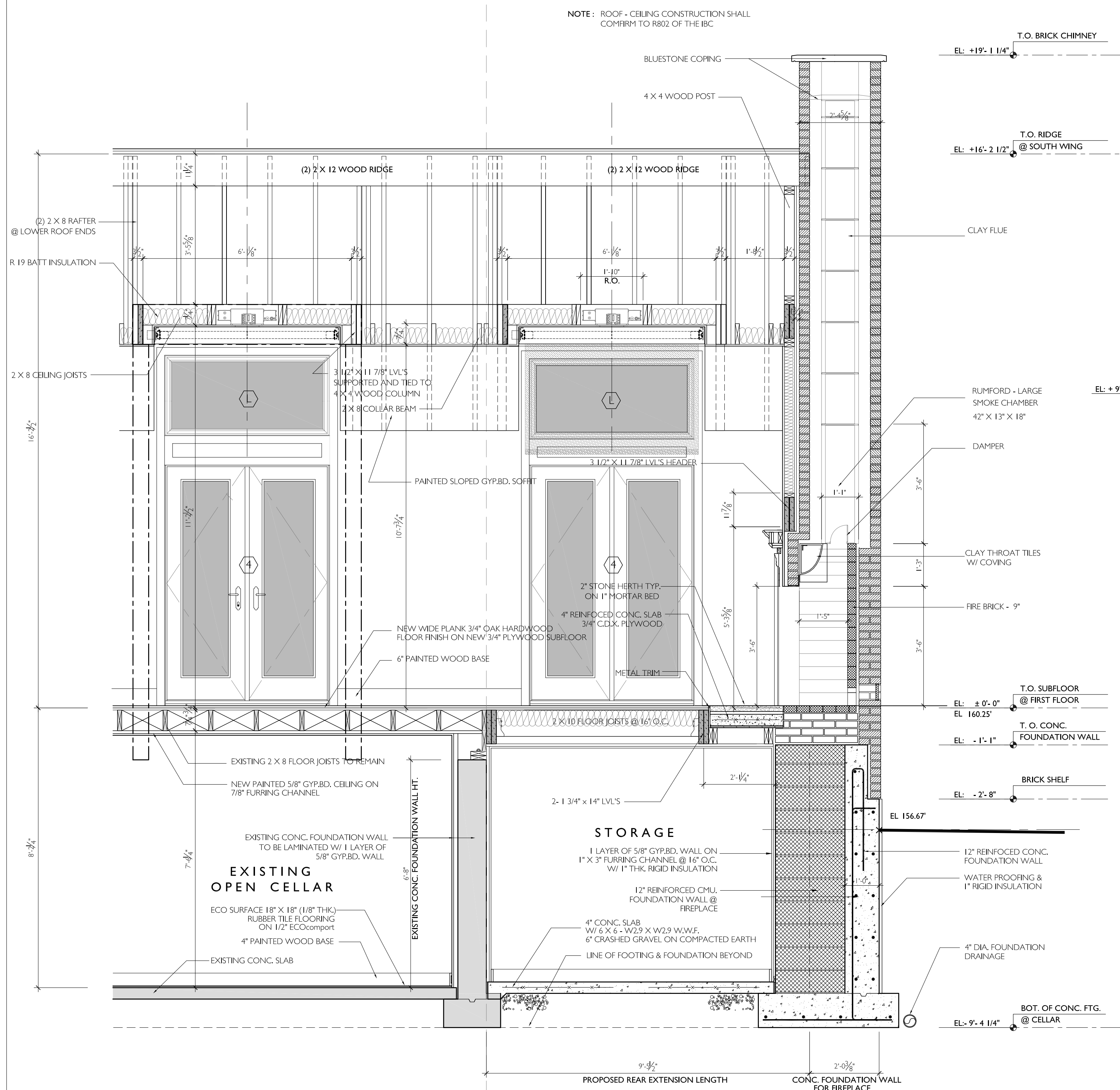


**7 WALL TO SLAB CONNECTION**  
N.T.S.  
SIMPSON STRONGTIE LSTA24 (OR EQUIVALENT) @ EACH CONNECTION  
SEE TABLE WFCM 3.38 FOR NAIL SCHEDULE  
1/2" ANCHOR BOLTS SEE TABLE WFCM 3.2A

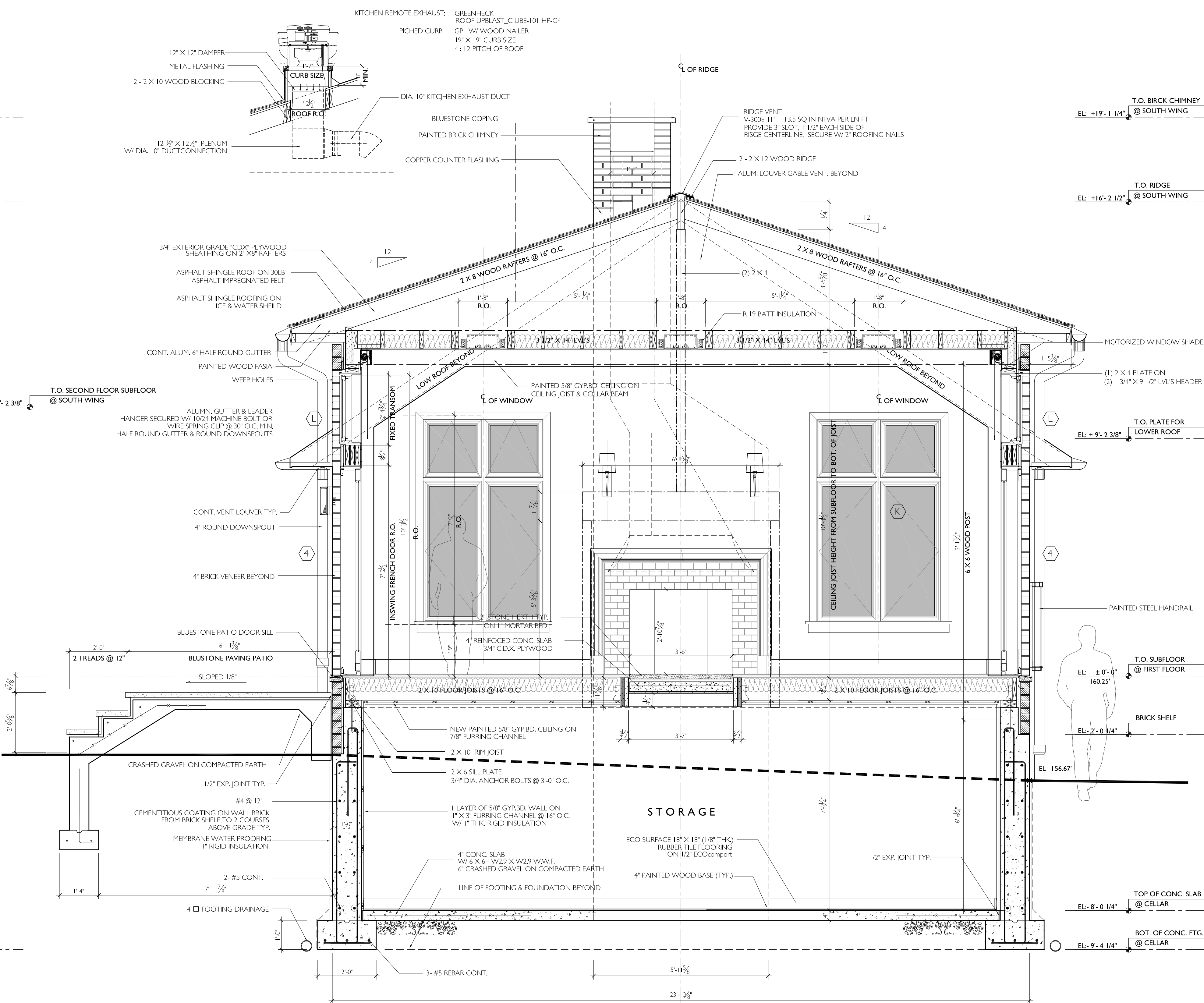


**8 POST BASE**  
N.T.S.  
SIMPSON STRONGTIE AB444 (OR EQUIVALENT)  
(6) 10D COMMON

design by  
Geum Design & Architecture  
William M Cohen Architect  
258 St. Nicholas Avenue, Suite 4C  
NEW YORK, NY 10039  
TEL: 212.862.9403  
FAX: 212.862.9405  
e-mail: wmcohen@wmcarch.com  
web site: wmcarch.com



**SECTION DETAIL FOR SOUTH WING**  
SCALE 1/2" = 1'-0"



**SECTION DETAIL FOR SOUTH WING**  
SCALE 1/2" = 1'-0"

NO.	DATE	REVISION
05/30/2009	ISSUED FOR BIDDING	

THE PLAN IS APPROVED ONLY FOR THE WORK INDICATED ON THE APPLICATION. ALL OTHER MATTERS SHOWN ARE NOT TO BE RELIED UPON OR TO BE CONSIDERED AS EITHER BEING APPROVED OR IN ACCORDANCE WITH APPLICABLE CODES.

PROJECT:  
**TRANSVERSE SECTION @ SOUTH WING**

DATE: 05-30-2009  
PROJECT No: 2009-06-RK  
DRAWN BY: MSK  
DRAWN BY: JFS  
DWG. No: **A-006.00**  
CADD FILE No: 1126\_SANRESIDENCE 7 of 14