

William M. Cohen Architect
210 FIFTH AVE. 3RD FL.
NEW YORK, NY 10010
TEL. 212.686.7281
FAX. 212.213.1424

		RETAIN EXISTING OPENING @ DOOR 106
		CHANGE LOCATION OF STEREO CABINET
		ACCOMMODATE TO EXISTING WINDOW HT.
		ADJUST CABINET DIMENSION TO
05/30/02		DWG. No. DETAILS
		DIMS. BET. DOORS @ SOUTH ELEV.
		SCALE & SHEET LAYOUT
		GRILLS @ SOUTH ELEVATION
05/13/02		MEDIA & DESK AREA DOOR
03/29/02		ISSUED FOR BIDDING
No.	Date	Revision Description

Drawing Title:
LIBRARY & DINING ROOM

Drawing Scale: AS NOTED

Drawn By: M.S.K.

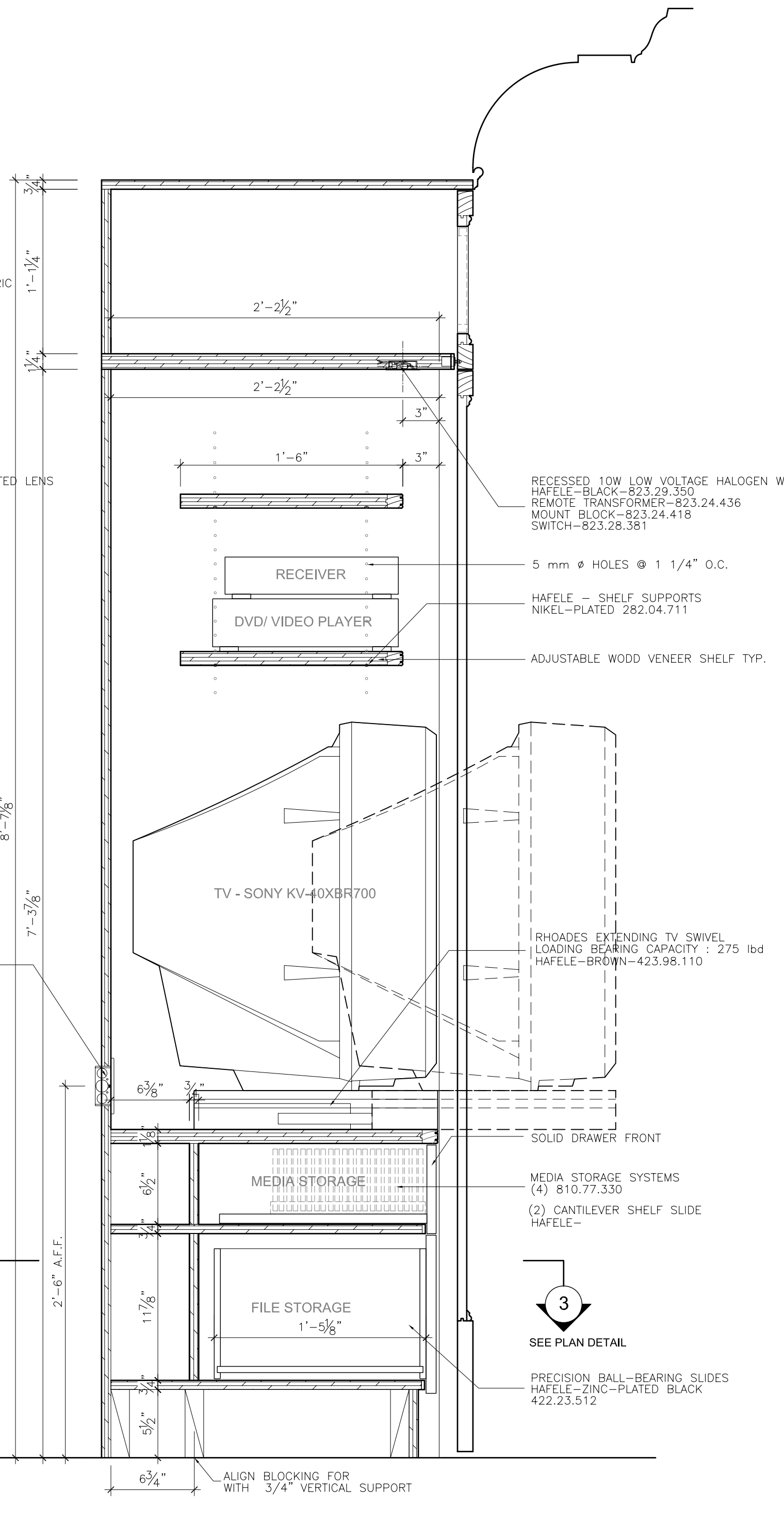
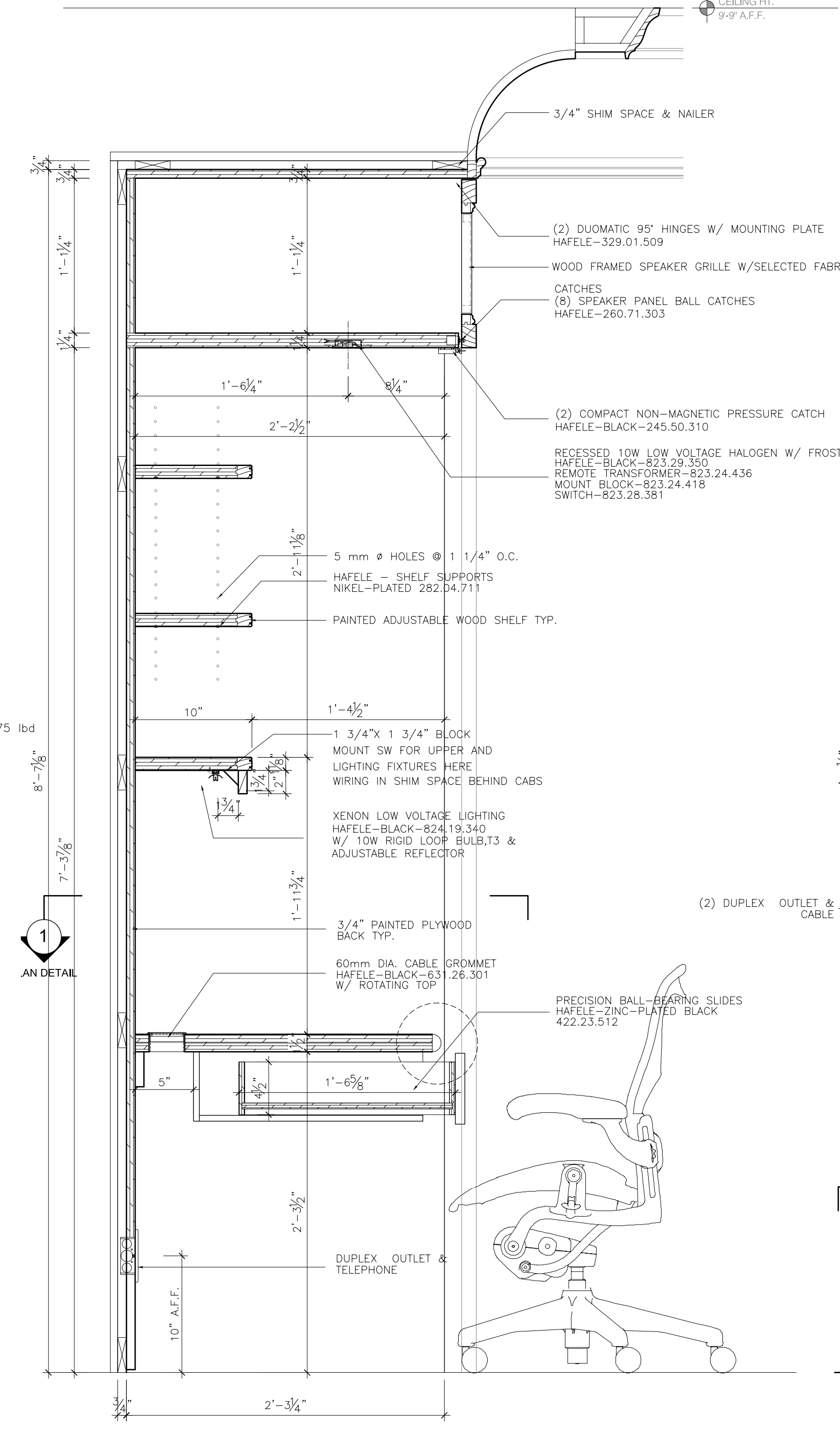
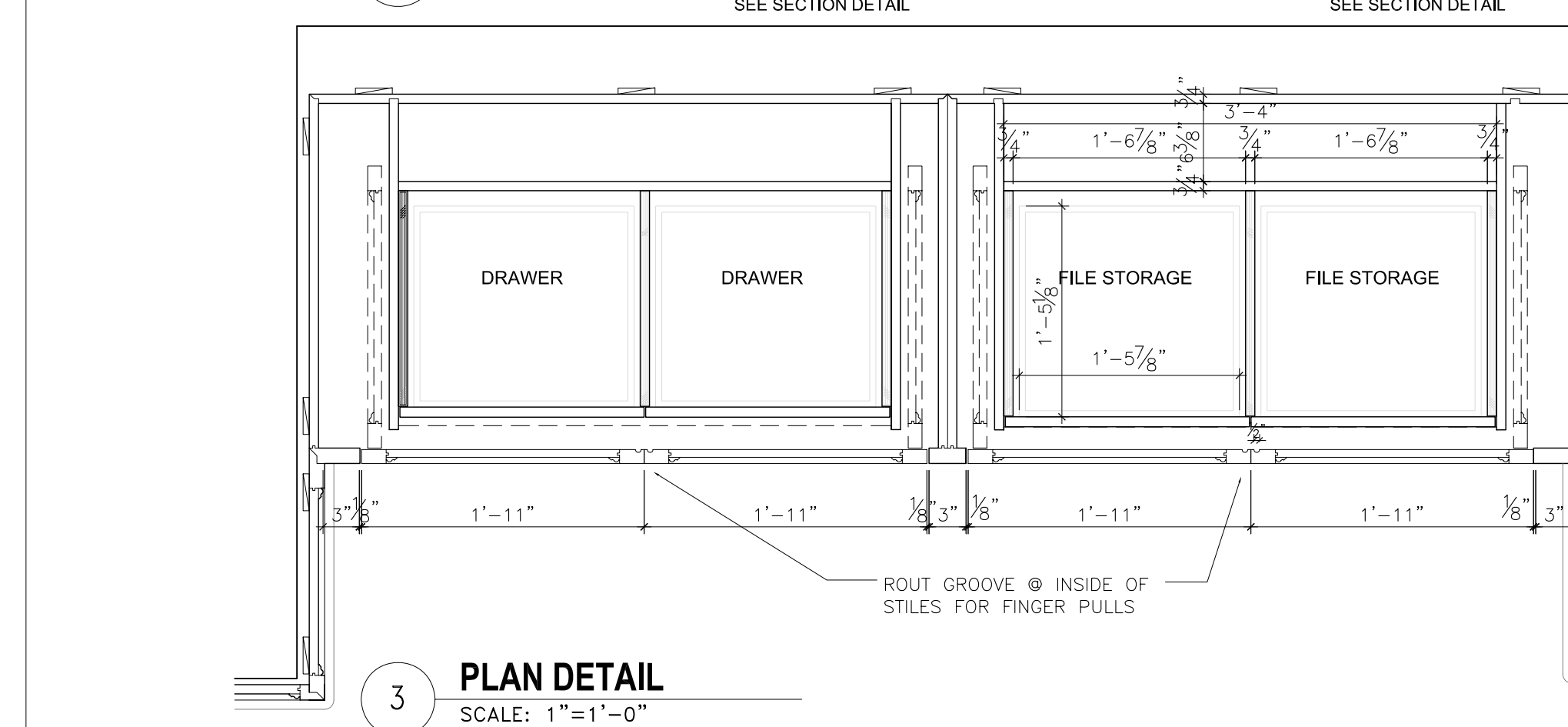
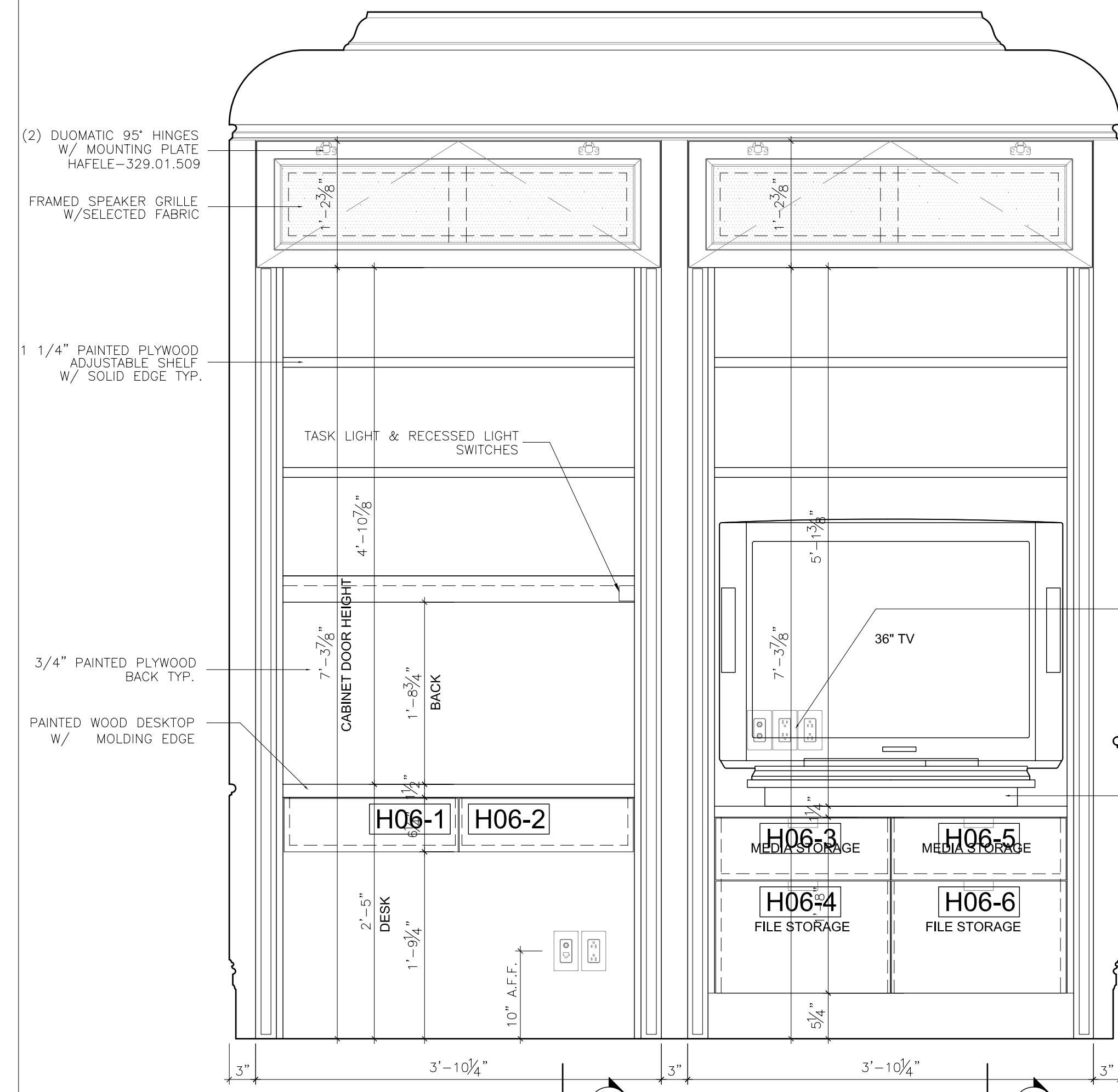
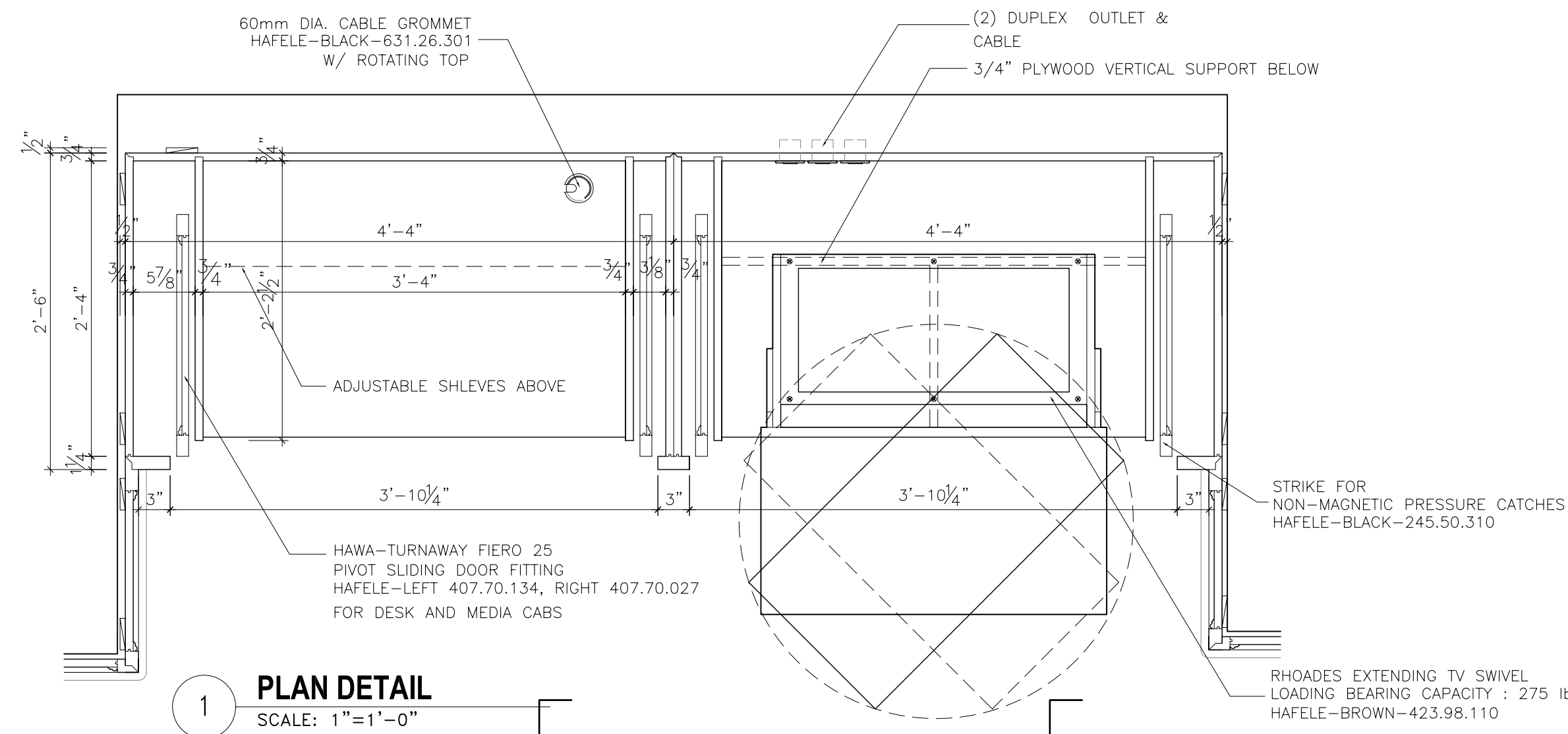
Issue Date: 05/30/02

Drawing No.:

A.08

William M. Cohen Architect
 210 FIFTH AVE. 3RD FL.
 NEW YORK, NY 10010
 TEL. 212.686.7281
 FAX. 212.213.1424

NOTE:



No.	Date	Revision Description
05/30/02		REVISED CONSTRUCTION SET
05/13/02		DWG. No. ADDED
03/29/02		ISSUED FOR BIDDING

Drawing Title:
PLAN & SECTION DETAIL FOR MEDIA CABINET & DESK

Drawing Scale: AS NOTED

Drawn By: M.S.K.

Issue Date: 05/30/02

Drawing No.:

A.09b

